

MEGA SERIES

ELECTRIC VERTICAL BROILERS



V3C-6KE
(180 LB)



V3C-9KE
(220 LB)

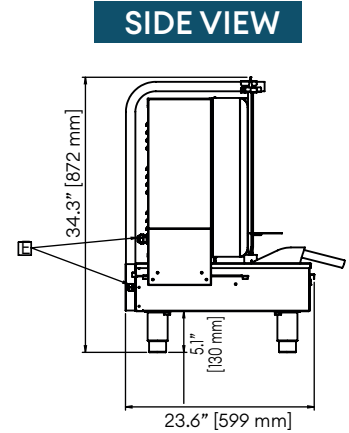
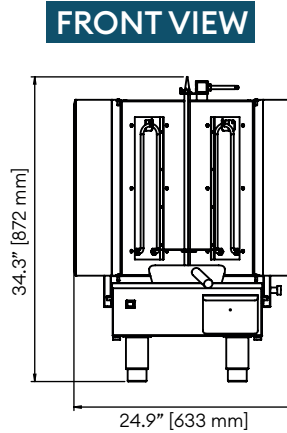
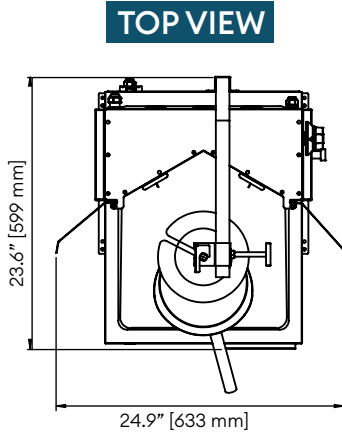


FEATURES

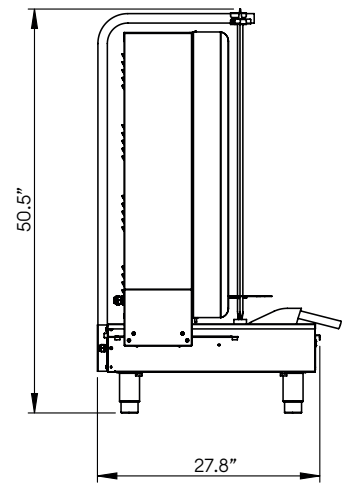
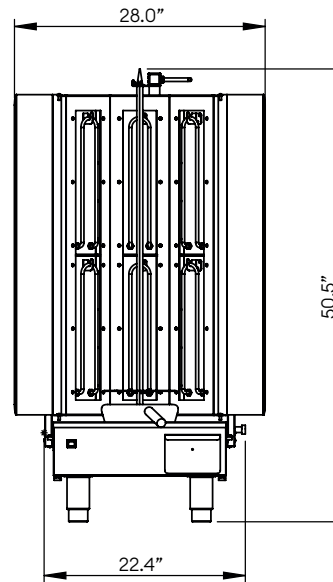
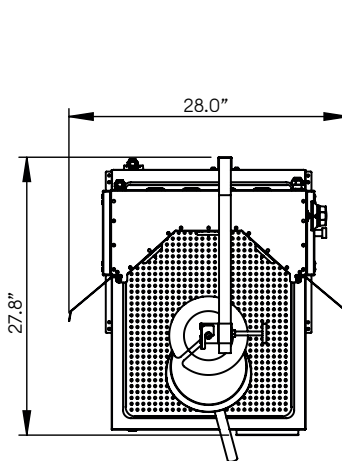
- Unveiling our latest design, the Pegasus Standard Series Heavy Duty Electric Vertical Broilers boast a trio of powerful columns with heavy duty electric elements.
 - Constructed entirely from 304 stainless steel, these culinary champions ensure precise heat distribution for perfect gyros, doner kebab, shawarma, and al pastor.
 - Elevate your cooking experience with this innovative appliance, seamlessly bringing the authentic flavors of street food into your kitchen.
 - Experience culinary excellence with our latest design, featuring three columns of heating elements and combining robust construction with advanced features for unparalleled performance.
- Electric 208V-240V.
 - 3 Phase (Field convertible to 1P).
 - Heavy duty electric elements.
 - Adjustable stainless steel shields.
 - Catch pan and skewer set included.
 - Burner structure moves back and forth on a rail.
 - Large grease pan.
 - Heavy-gauge stainless steel body.
 - Dual-direction powerful 120V motor.
 - One year limited warranty (USA & Canada only).

ELECTRIC VERTICAL BROILERS

V3C-6KE



V3C-9KE



TECHNICAL SPECIFICATIONS:

	Power	Voltage	Phase	Nominal Amps 208V - 3P			Nominal Amps 208V - 1P	Meat Capacity	Dimensions (W x H x D)	Shipping Dimensions (W x H x D)	Shipping Weight
				X	Y	Z					
V3C-6KE	8.1 kW	208 V	3P (field convertible to 1P)	22.5	22.5	22.5	38.94	180 lb	24.03" x 55.95" x 37.57" 610 x 1421 x 954 mm	32.28" x 40.94" x 40.15" 820 x 1040 x 1020 mm	255 lb 166 kg
V3C-9KE	9 kW	208 V	3P (field convertible to 1P)	25	25	25	43.26	220 lb	35.98" x 55.95" x 37.57" 914 x 1421 x 954 mm	48.03" x 40.94" x 44.09" 1220 x 1040 x 1120 mm	314 lb 142 kg

REQUIRED CLEARANCES:

	Non-Combustible	Combustible
Left	0" (00 mm)	1" (25 mm)
Right	0" (00 mm)	3" (76 mm)
Back	0" (00 mm)	3" (76 mm)



Galaxy Group reserves the right to modify specifications or discontinue models without incurring obligation. Dimensions are nominal.