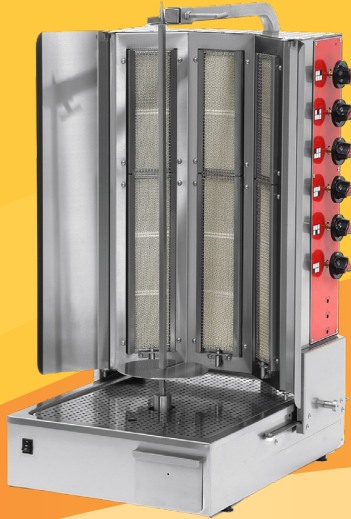


MEGA SERIES

GAS VERTICAL BROILERS



V3C-15G
(180 LB)



V3C-18G
(220 LB)



FEATURES

- Unveiling our latest design, the Pegasus Standard Series Heavy Duty Gas Vertical Broilers boast a trio of powerful columns with ceramic infrared burners.
- Constructed entirely from 304 stainless steel, these culinary champions ensure precise heat distribution for perfect gyros, doner kebab, shawarma, and al pastor.
- Elevate your cooking experience with this innovative appliance, seamlessly bringing the authentic flavors of street food into your kitchen.
- Experience culinary excellence with our latest design, featuring three columns of powerful ceramic infrared burners and combining robust construction with advanced features for unparalleled performance.

- Natural Gas (field convertible to LP).
- Ceramic infrared burners.
- LP conversion kit is included.
- Adjustable stainless steel shields.
- Catch pan and skewer set included.
- Burner structure moves back and forth on a rail.
- Large grease pan.
- Heavy-gauge stainless steel body.
- Dual-direction powerful 120V motor.
- One year limited warranty (USA & Canada only).

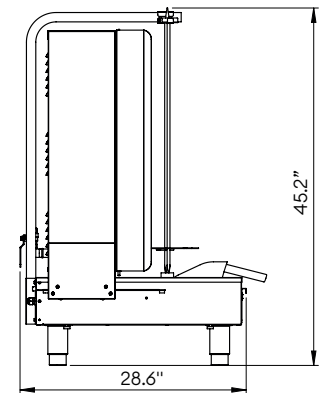
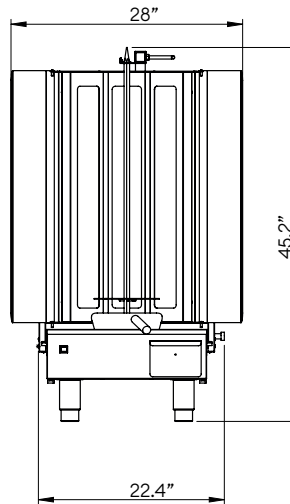
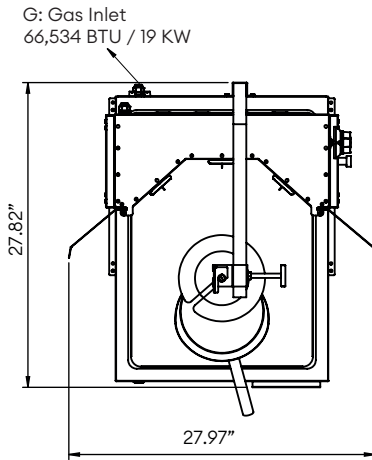
GAS VERTICAL BROILERS

TOP VIEW

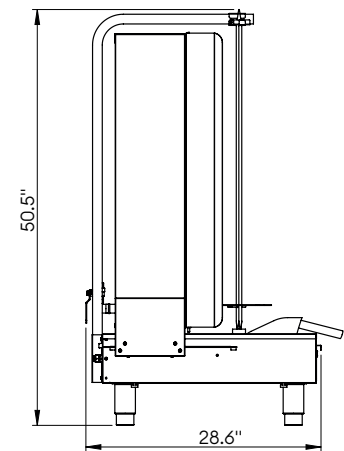
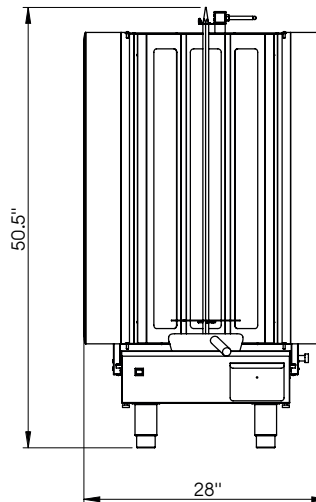
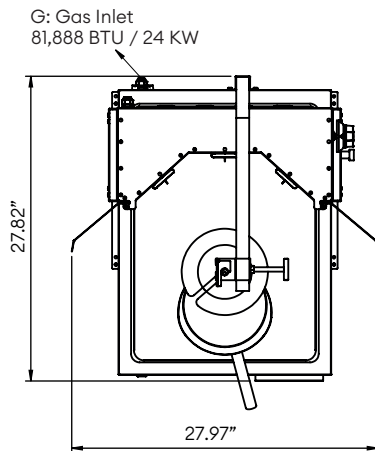
FRONT VIEW

SIDE VIEW

V3C-15G



V3C-18G



TECHNICAL SPECIFICATIONS:

	BTU	Gas Inlet Pressure	Meat Capacity	Dimensions (W x H x D)	Shipping Dimensions (W x H x D)	Shipping Weight
V3C-15G	66,534	NG - 4" w.c LP - 10" w.c	180 lb	22.4" x 40.5" x 28.5" 570 x 1029 x 723 mm	24.4" x 47.1" x 30.4" 620 x 1197 x 773 mm	126 lb 57 kg
V3C-18G	95,000	NG - 4" w.c LP - 10" w.c	220 lb	22.4" x 45.9" x 28.5" 570 x 1165 x 723 mm	24.4" x 52.5" x 30.4" 620 x 1333 x 773 mm	137 lb 62 kg

REQUIRED CLEARANCES:

	Non-Combustible	Combustible
Left	1" (25.4 mm)	N/A
Right	12" (304.8 mm)	N/A
Back	3" (76.2 mm)	N/A

GAS-FIRED



Galaxy Group reserves the right to modify specifications or discontinue models without incurring obligation. Dimensions are nominal.